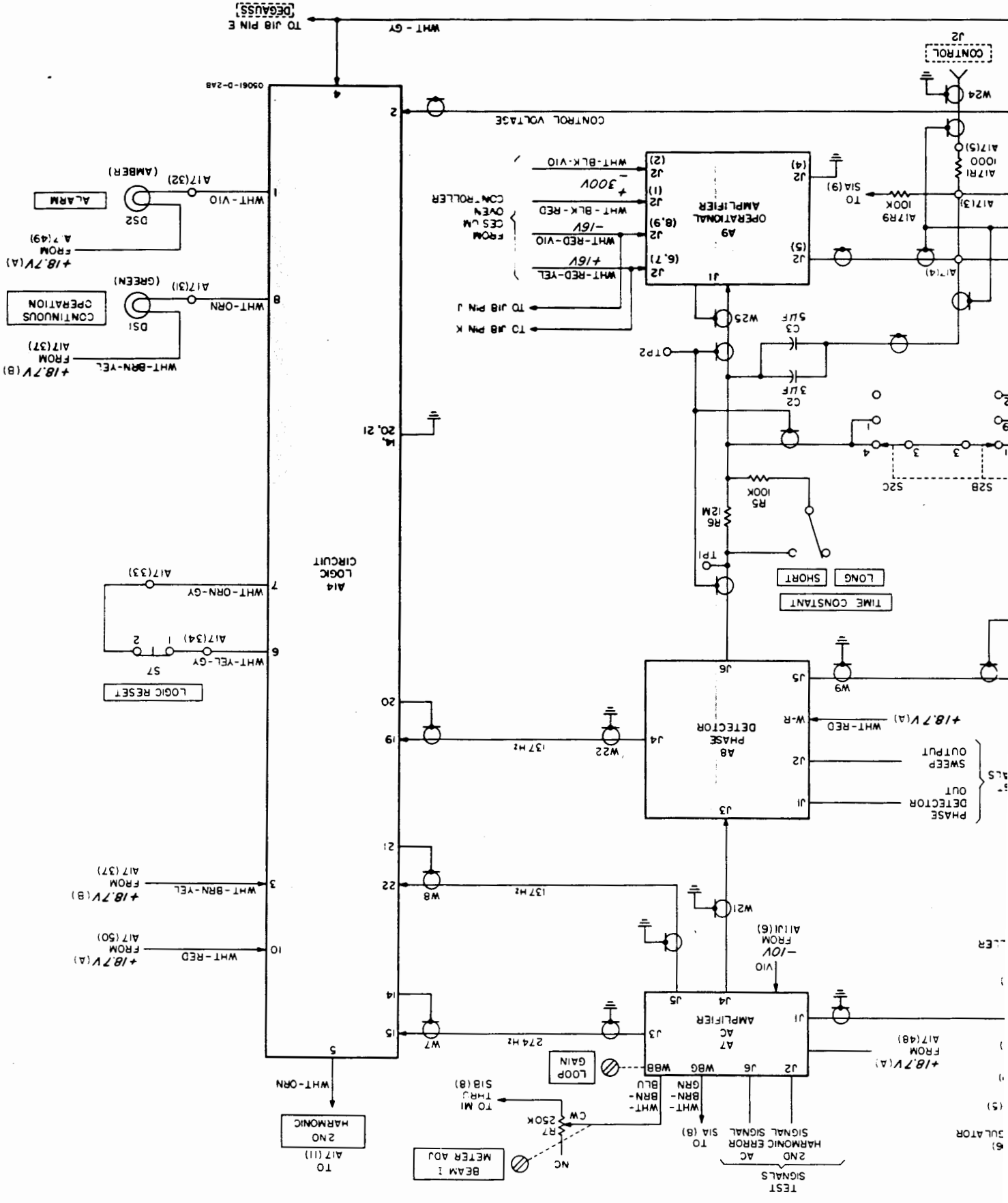
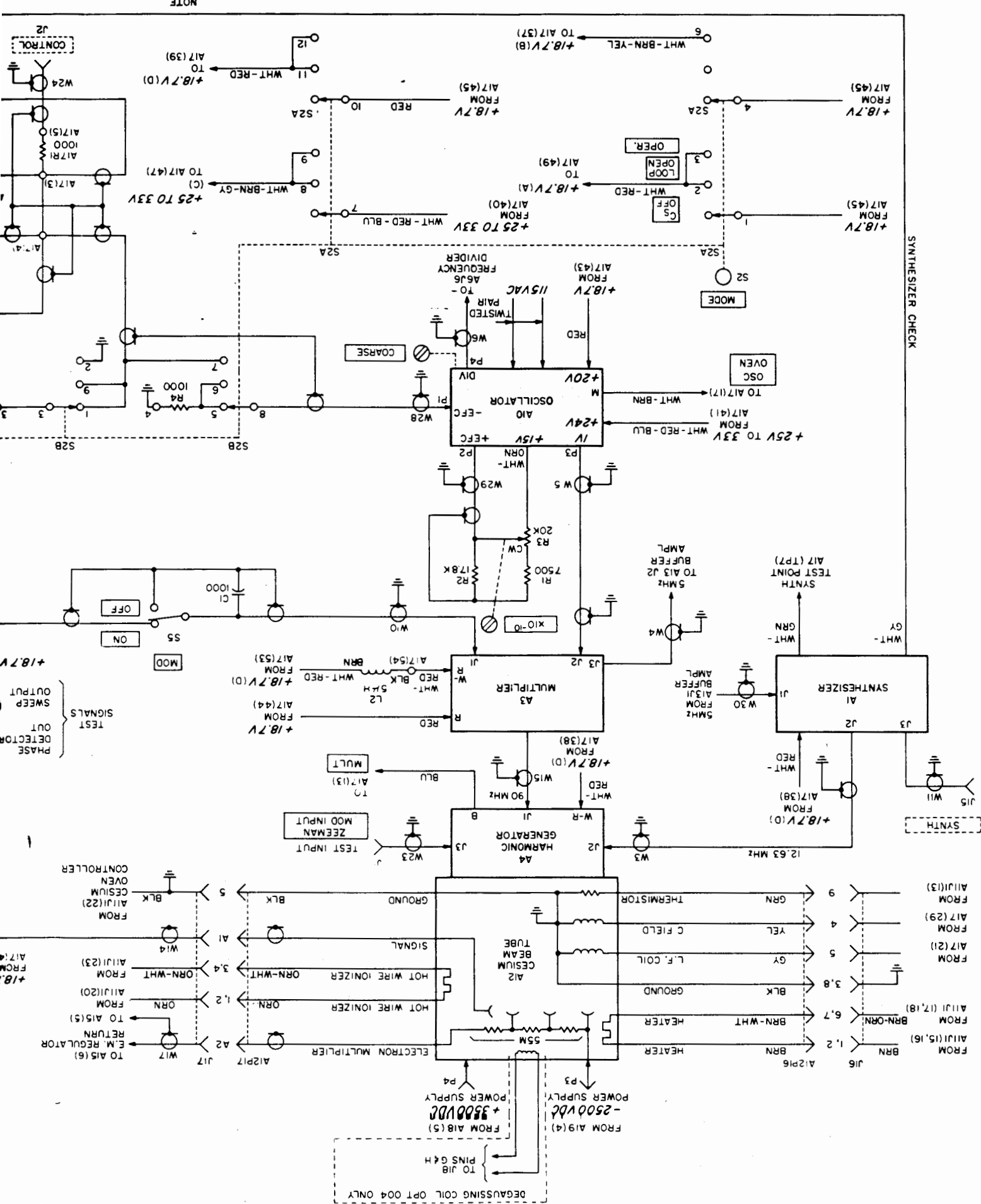


Figure 8-5. Wiring Diagram



SYNTHESIZER CHECK



NOTE  
 1. R5 OPTION 004 900K  
 R6 OPTION 004  
 12M 2X10-12  
 10M 2 TO 3X10-12  
 5M 3 TO 4X10-12  
 2.5M 4 TO 5X10-12